

Metropol

Single lever basin mixer for concealed installation wall-mounted with lever handle and spout
22,5 cm

Surfaces: **Matt White** Article Number: **32526700**



Description

product features

- consists of: single lever basin mixer for concealed installation wall-mounted, waste set
- projection 225 mm
- spray type: normal spray
- maximum flow rate at 3 bar: 5 l/min
- ceramic cartridge
- temperature limitation adjustable
- suitable for continuous flow water heaters
- non-closing waste set
- material waste set: metal
- connection type: basic set
- connection dimension: DN15
- handle can be positioned on the right or left, depends on the basic set installation

Technology



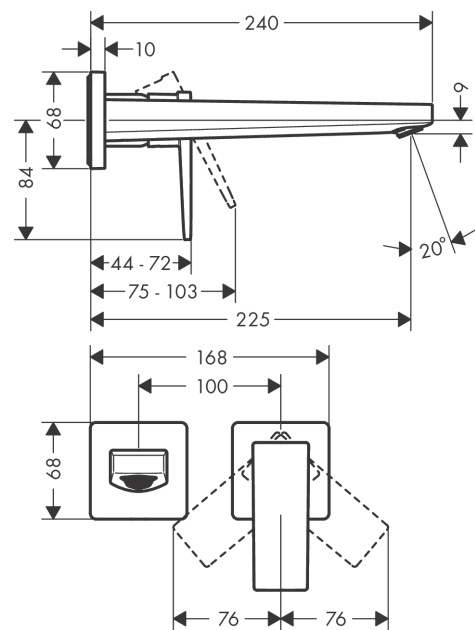
Design awards



Product image



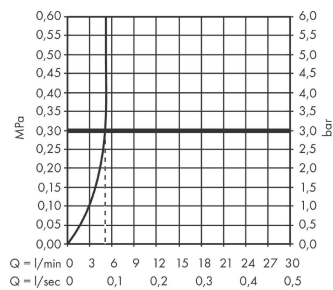
Scale drawing



Metropol
Single lever basin mixer for concealed installation wall-mounted with lever handle and spout
22,5 cm
 Surfaces: **Matt White** Article Number: **32526700**



Flowchart

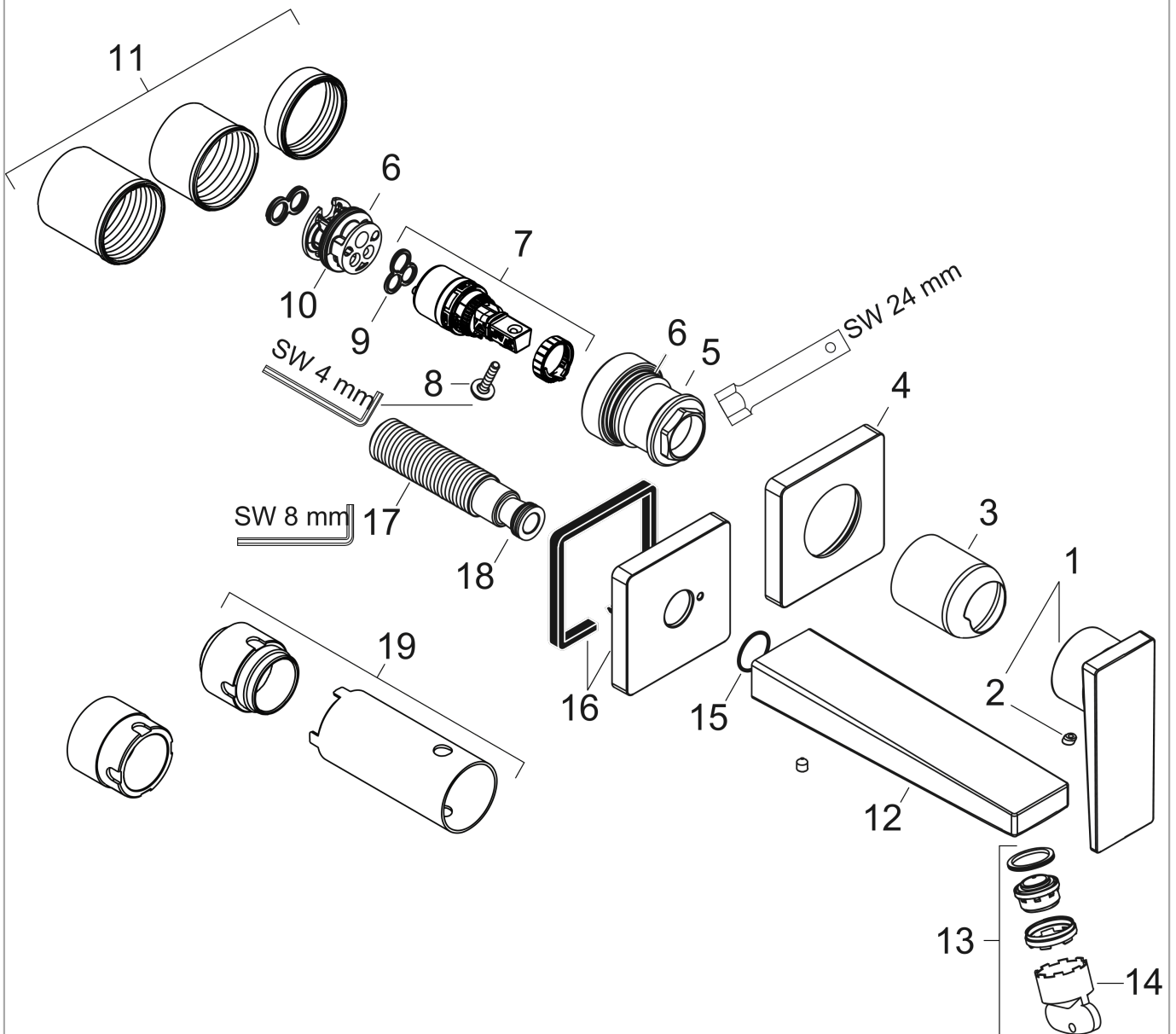


Metropol
Single lever basin mixer for concealed installation wall-mounted with lever handle and spout
22,5 cm
 Surfaces: **Matt White** Article Number: **32526700**



Exploded Drawing

Year of production: >11/19



Metropol

Single lever basin mixer for concealed installation wall-mounted with lever handle and spout
22,5 cm

Surfaces: **Matt White** Article Number: **32526700**



Spare part list

Year of production: >11/19

Pos.	Description	Article Number	Price	PU
1	handle	93163700	-	1
2	screw cover	96338000	-	1
3	sleeve	93053700	-	1
4	escutcheon for handle	93161700	-	1
5	nut	93141000	-	1
6	O-ring 26x2	98147000	-	1
7	cartridge, assy	97685000	-	1
8	locking screw for handle	95140000	-	1
9	seal	98865000	-	1
10	adapter for cartridge	95634000	-	1
11	fixing set	97971000	-	1
12	spout 225 mm	93166700	-	1
13	aerator M24x1 (5 l/min)	92996000	-	1
14	service tool	95661000	-	1
15	O-ring 18x1,5	98231000	-	1
16	escutcheon for spout	93162700	-	1
17	connecting thread G½	95626000	-	1
18	O-ring 13x2	98128000	-	1
19	extension set 25 mm for 13622180	31971000	-	1
a	waste	50001000	-	1
b	base body	13622180	-	1
c	adapter for exchanged connections	93819000	-	1